

Архангельск (8182)63-90-72  
Астана (7172)727-132  
Астрахань (8512)99-46-04  
Барнаул (3852)73-04-60  
Белгород (4722)40-23-64  
Брянск (4832)59-03-52  
Владивосток (423)249-28-31  
Волгоград (844)278-03-48  
Вологда (8172)26-41-59  
Воронеж (473)204-51-73  
Екатеринбург (343)384-55-89  
Иваново (4932)77-34-06

Ижевск (3412)26-03-58  
Иркутск (395)279-98-46  
Казань (843)206-01-48  
Калининград (4012)72-03-81  
Калуга (4842)92-23-67  
Кемерово (3842)65-04-62  
Киров (8332)68-02-04  
Краснодар (861)203-40-90  
Красноярск (391)204-63-61  
Курск (4712)77-13-04  
Липецк (4742)52-20-81  
Киргизия (996)312-96-26-47

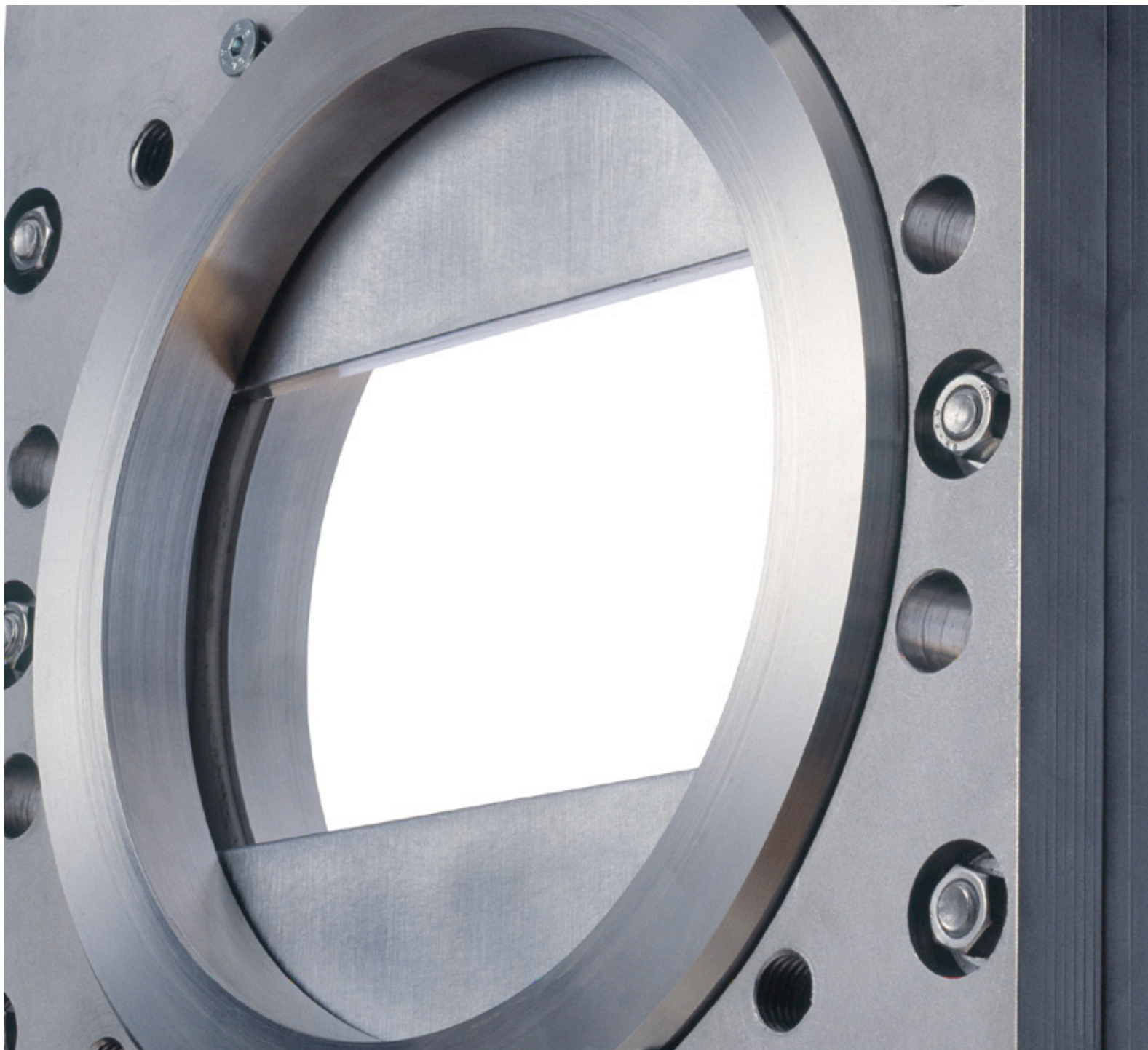
Магнитогорск (3519)55-03-13  
Москва (495)268-04-70  
Мурманск (8152)59-64-93  
Набережные Челны (8552)20-53-41  
Нижний Новгород (831)429-08-12  
Новокузнецк (3843)20-46-81  
Новосибирск (383)227-86-73  
Омск (3812)21-46-40  
Орел (4862)44-53-42  
Оренбург (3532)37-68-04  
Пенза (8412)22-31-16  
Казахстан (772)734-952-31

Пермь (342)205-81-47  
Ростов-на-Дону (863)308-18-15  
Рязань (4912)46-61-64  
Самара (846)206-03-16  
Санкт-Петербург (812)309-46-40  
Саратов (845)249-38-78  
Севастополь (8692)22-31-93  
Симферополь (3652)67-13-56  
Смоленск (4812)29-41-54  
Сочи (862)225-72-31  
Ставрополь (8652)20-65-13  
Россия (495)268-04-70

Сургут (3462)77-98-35  
Тверь (4822)63-31-35  
Томск (3822)98-41-53  
Тула (4872)74-02-29  
Тюмень (3452)66-21-18  
Ульяновск (8422)24-23-59  
Уфа (347)229-48-12  
Хабаровск (4212)92-98-04  
Челябинск (351)202-03-61  
Череповец (8202)49-02-64  
Ярославль (4852)69-52-93

<https://ebro-armaturen.nt-rt.ru/> || [ero@nt-rt.ru](mailto:ero@nt-rt.ru)

## Knife gate valve D2G



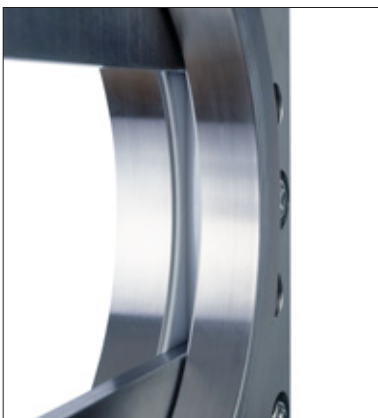
## Knife gate valve D2G

Stafsjö's knife gate valve D2G is a bi-directional tight valve with full bore. The valve is equipped with two hard chromed gates that works towards each other in the bore, which gives an extremely fast operation. This shut-off performance along with its flow characteristics makes it suitable for contaminated media or reject handling. The valve should be mounted only in a vertical pipe line.

D2G has a valve body in stainless steel with unique gliding supports located between the gates and valve body in order to minimize the friction. The gates are always supplied in hard chromed stainless steel to increase the wear resistance and to extend the service life. The valve comes with the retainer ring system on both sides of the gate, which makes it independent of pressure direction and very easy to maintain. The gland boxes are equipped with Stafsjö's box packing TwinPack™, to secure that no media reaches surrounding environment.

The top work consist of aluminium beams and stainless steel tie rods, which gives good corrosion resistance and a stable operation. The D2G valve comes with two double-acting pneumatic cylinders and quick exhaust valves as standard. There are several accessories available to choose from in our standard collection.

The D2G valve is designed, manufactured, inspected and tested according to the European Pressure Equipment Directive (PED 97/23/EC) category I and II module A1. The valve is CE marked when it is applicable.



### Reliable shut-off on reject and contaminated media

Full bore, bi-directional tight and two gates working in the bore prevent blockages that easily can occur on tough applications with reject and contaminated media.



### Extremely fast manoeuvring time with low energy consumption

Two gates and two double-acting pneumatic cylinders with quick exhaust valves, makes the valve extremely fast to open/close. Internal gliding supports makes it easy to operate and lowers the energy consumption.



### A precise gate guidance extend the service life

A solid top works, a robust gland box system, internal guiding supports guarantee a straight gate guidance that gives a reliable operation and an extended service life.

## Design data

Sizes	Flange drilling	Face-to-face dimension	Pressure tests
DN 100 - DN 600	EN 1092 PN 10 JIS B 2238 10K ASME/ANSI B16.5 and B16.47 Class 150, series A	Stafsjö manufacturing standard	Pressure tests are performed with water at 20° C according to EN 12266-1:2012. Pressure for shell test: 1,5 times maximum allowable working pressure for open valve. Seat tightness test is not performed due to the two piece gate construction.

Maximum working pressure body at 20°C		Maximum differential pressure at 20°C	
DN	bar	DN	bar
100 - 400	10	100 - 400	6
500 - 600	6	500 - 600	4

## Basic equipment

A. Valve Body			
Material	Code	Type	Maximum temperature °C
Stainless steel	(E)	EN 1.4408	400

B. Gates		
Material	Type	Surface treatment
Stainless steel	EN 1.4404/AISI 316L	Hard chromed

C. Retainer rings	
Material	Type
Stainless steel	EN 1.4408

D. Seats		
Material	Code	Maximum temperature °C
PTFE with o-ring Nitril	(P)	100
PTFE with o-ring Viton	(PV)	180

E. Box packings		
Material	Code	Maximum temperature °C
TwinPack™	(TY)	260

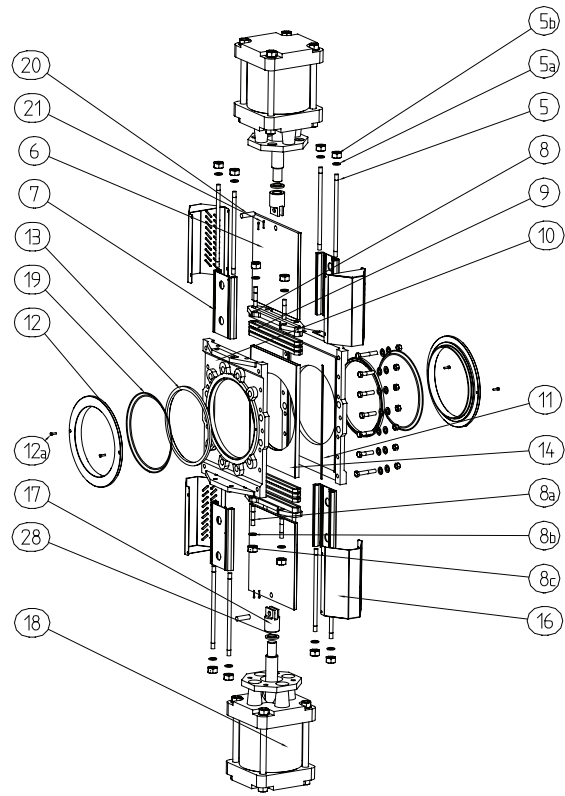
## Actuators

Double-acting pneumatic cylinder			
DN valve	Size AC/EC	Force at 5 bar (kN)	<i>Each D2G is equipped with two double-acting pneumatic cylinders (AC/EC) and these are equipped with quick exhaust valves as standard. The table on the left gives recommended cylinder sizes at normal operation with 5 bar air pressure. For other operating conditions, please contact Stafsjö or your local representative for advice.</i> <i>The actuators are described in detail in separate data sheets. For actuators classified according to ATEX, please contact Stafsjö or your local representative.</i>
100 - 125	AC100	3,5	
150 - 200	AC160	9,0	
250 - 350	AC200	14,1	
400 - 600	AC250	22,1	

## Part list

Pos	Detail	Material (Type)
5	Tie rod	Stainless steel (EN 1.4301)
5a	Washer	Stainless steel (A2), zinc coated
5b	Nut	Stainless steel (A2), zinc coated
6	Gate	See equipment B
7	Beam	Aluminium (EN AW-6063-T6)
8	Gland	Stainless steel (EN 1.4408)
8a	Stud bolt	Stainless steel (A2), zinc coated
8b	Washer	Stainless steel (A2), zinc coated
8c	Nut	Stainless steel (A2), zinc coated
9 <sup>1)</sup>	Box packing	See equipment E
10	Valve body	See equipment A
11	Body gasket	PTFE
12	Retainer ring	See equipment C
12a	Locking screw	Stainless steel (A2)
13 <sup>1)</sup>	Seat	See equipment D
14 <sup>1)</sup>	Gliding support set	POM-C
16	Gate guard	Stainless steel (EN 1.4301)
17	Gate clevis	Stainless steel (EN 1.4305)
18	Cylinder	See data sheet
19	O-ring	See equipment D
20	Clevis pin	Stainless steel (EN 1.4305)
21	Split pin	Stainless steel (EN 1.4436)
28	Locking nut	Stainless steel (EN 1.4305)

<sup>1)</sup> Recommended spare parts



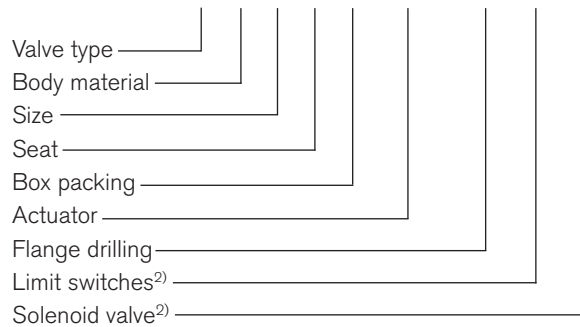
## Specify the Stafsjö valve

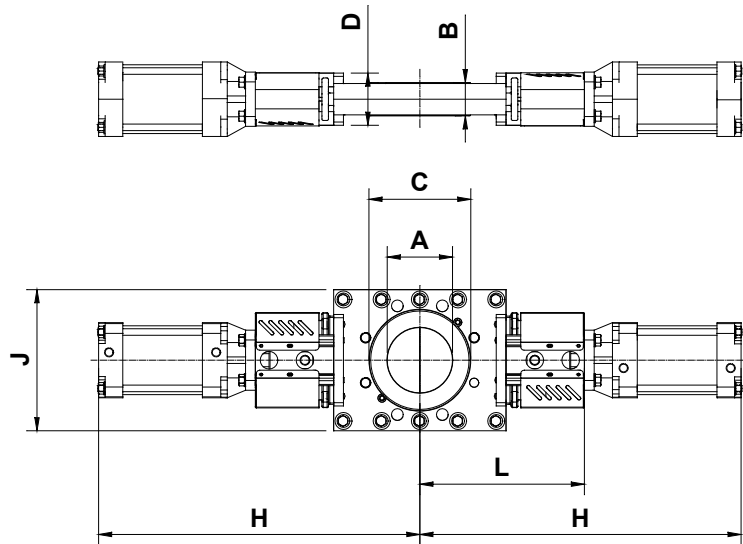
Stafsjö's valves are modular designed and they can easily be customized with materials, actuators and accessories according to specific process requirements. Below are examples of how you can specify your Stafsjö valve.

Further information is available on [www.stafsjo.com](http://www.stafsjo.com).

<sup>2)</sup> All electronics must be specified in detail

**D2G-E-300-P-TY-AC200-PN10-ILS-SV**

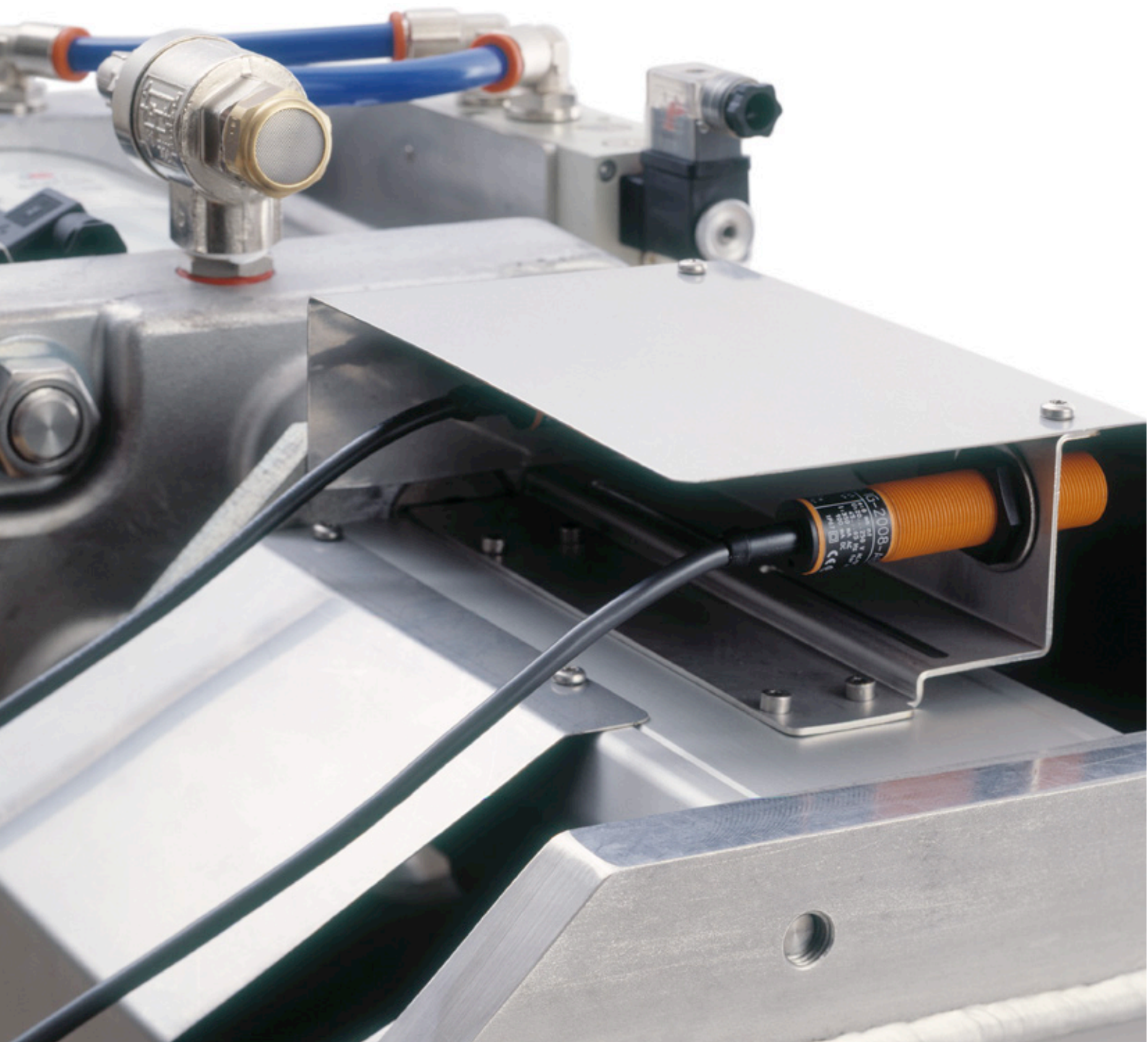




## Main dimensions

Dimensions (mm)							
DN	A	B	C	D	H	J	L
100	100	52	153	80	472	208	266
125	125	56	187	80	509	241	291
150	150	56	212	80	587	266	319
200	200	60	268	145	705	333	411
250	250	68	322	145	829	389	468
300	300	78	372	145	918	451	532
350	350	78	415	178	1025	505	609
400	400	89	481	178	1219	571	666
500	500	114	586	260	1465	679	801
600	600	114	685	260	1577	790	924

Main dimensions are only for information. Contact Stafsjö for certified drawings.



Архангельск (8182)63-90-72  
Астана (7172)727-132  
Астрахань (8512)99-46-04  
Барнаул (3852)73-04-60  
Белгород (4722)40-23-64  
Брянск (4832)59-03-52  
Владивосток (423)249-28-31  
Волгоград (844)278-03-48  
Вологда (8172)26-41-59  
Воронеж (473)204-51-73  
Екатеринбург (343)384-55-89  
Иваново (4932)77-34-06

Ижевск (3412)26-03-58  
Иркутск (395)279-98-46  
Казань (843)206-01-48  
Калининград (4012)72-03-81  
Калуга (4842)92-23-67  
Кемерово (3842)65-04-62  
Киров (8332)68-02-04  
Краснодар (861)203-40-90  
Красноярск (391)204-63-61  
Курск (4712)77-13-04  
Липецк (4742)52-20-81  
Киргизия (996)312-96-26-47

Магнитогорск (3519)55-03-13  
Москва (495)268-04-70  
Мурманск (8152)59-64-93  
Набережные Челны (8552)20-53-41  
Нижний Новгород (831)429-08-12  
Новокузнецк (3843)20-46-81  
Новосибирск (383)227-86-73  
Омск (3812)21-46-40  
Орел (4862)44-53-42  
Оренбург (3532)37-68-04  
Пенза (8412)22-31-16  
Казахстан (772)734-952-31

Пермь (342)205-81-47  
Ростов-на-Дону (863)308-18-15  
Рязань (4912)46-61-64  
Самара (846)206-03-16  
Санкт-Петербург (812)309-46-40  
Саратов (845)249-38-78  
Севастополь (8692)22-31-93  
Симферополь (3652)67-13-56  
Смоленск (4812)29-41-54  
Сочи (862)225-72-31  
Ставрополь (8652)20-65-13  
Россия (495)268-04-70

Сургут (3462)77-98-35  
Тверь (4822)63-31-35  
Томск (3822)98-41-53  
Тула (4872)74-02-29  
Тюмень (3452)66-21-18  
Ульяновск (8422)24-23-59  
Уфа (347)229-48-12  
Хабаровск (4212)92-98-04  
Челябинск (351)202-03-61  
Череповец (8202)49-02-64  
Ярославль (4852)69-52-93