

Архангельск (8182)63-90-72
Астана (7172)727-132
Астрахань (8512)99-46-04
Барнаул (3852)73-04-60
Белгород (4722)40-23-64
Брянск (4832)59-03-52
Владивосток (423)249-28-31
Волгоград (844)278-03-48
Вологда (8172)26-41-59
Воронеж (473)204-51-73
Екатеринбург (343)384-55-89
Иваново (4932)77-34-06

Ижевск (3412)26-03-58
Иркутск (395)279-98-46
Казань (843)206-01-48
Калининград (4012)72-03-81
Калуга (4842)92-23-67
Кемерово (3842)65-04-62
Киров (8332)68-02-04
Краснодар (861)203-40-90
Красноярск (391)204-63-61
Курск (4712)77-13-04
Липецк (4742)52-20-81
Киргизия (996)312-96-26-47

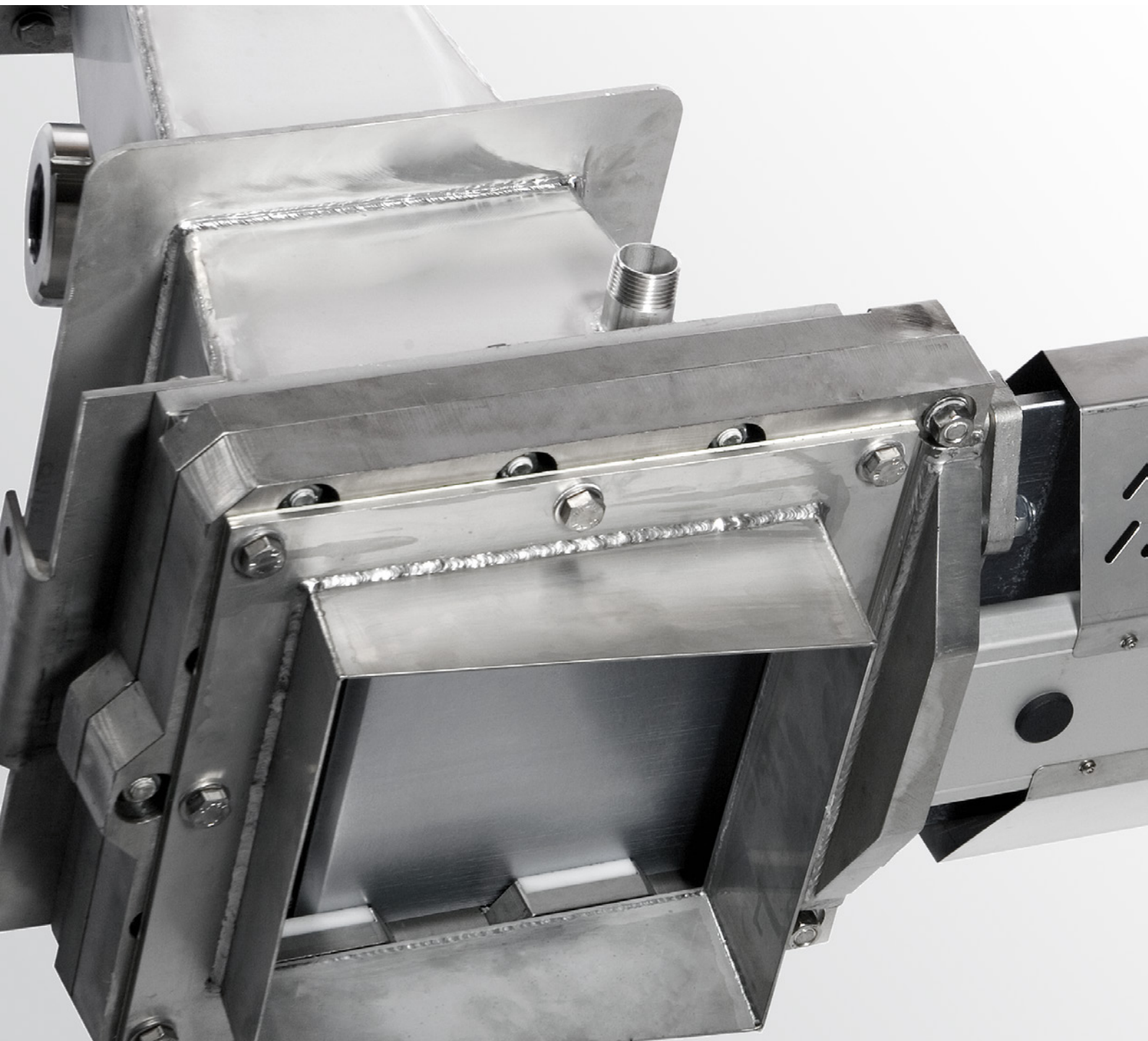
Магнитогорск (3519)55-03-13
Москва (495)268-04-70
Мурманск (8152)59-64-93
Набережные Челны (8552)20-53-41
Нижний Новгород (831)429-08-12
Новокузнецк (3843)20-46-81
Новосибирск (383)227-86-73
Омск (3812)21-46-40
Орел (4862)44-53-42
Оренбург (3532)37-68-04
Пенза (8412)22-31-16
Казахстан (772)734-952-31

Пермь (342)205-81-47
Ростов-на-Дону (863)308-18-15
Рязань (4912)46-61-64
Самара (846)206-03-16
Санкт-Петербург (812)309-46-40
Саратов (845)249-38-78
Севастополь (8692)22-31-93
Симферополь (3652)67-13-56
Смоленск (4812)29-41-54
Сочи (862)225-72-31
Ставрополь (8652)20-65-13
Россия (495)268-04-70

Сургут (3462)77-98-35
Тверь (4822)63-31-35
Томск (3822)98-41-53
Тула (4872)74-02-29
Тюмень (3452)66-21-18
Ульяновск (8422)24-23-59
Уфа (347)229-48-12
Хабаровск (4212)92-98-04
Челябинск (351)202-03-61
Череповец (8202)49-02-64
Ярославль (4852)69-52-93

<https://ebro-armaturen.nt-rt.ru/> || ero@nt-rt.ru

Junc Trap JT



Junc Trap JT

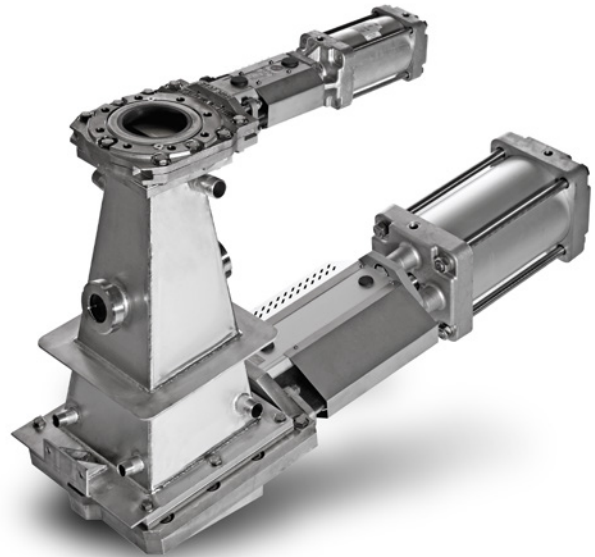
This Junk Trap is designed for really tough process conditions handling difficult and abrasive media. The JT is specially developed to minimize turbulence, erosive wear and build-up of solids and reject material.

The JT consist of the RKO valve on the inlet side, which has a circular inlet and a square outlet, the square JTV valve on the outlet side which is installed in an inclined position on the quadratic and conic reject tank. Both valves are designed for tough operating duties as standard with robust valve bodies, high strength top works, hard chromed duplex gates and polyurethane seats to withstand the abrasive wear in these type of applications. Further information on the valves is available on www.stafsjo.com.

The reject tank enables different ways of operation depending on media and type of application. It is designed with two sight glasses for observation of the reject level in the chamber. Water (flush/fill) and air bleed connections are located near the top of the tank and three connections are located near the lower end in order to prevent possible clogging and congestions in dead corners.

As standard the JT is supplied with valves and reject tank packed separately. On request Stafsjö can supply the JT fully assembled.

The Junc Trap JT is destined to be used only for fluids in group 2 according European regulation 1272/2008/EG.

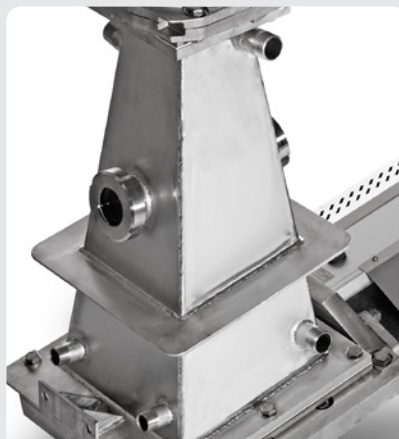


Features and benefits



RKO as inlet valve

The robust RKO valve transform the pipe to the square tank inlet. A hard chromed duplex gate with a straight bevel edge cut through abrasive media and seal tight upon closure.



A reject tank for difficult and abrasive media

The square conic reject tank reduce rotational erosive wear and enable a full release of difficult media at drain sequence. Several connections for water and air bleed can further improve the performance and increase the wear resistance of the entire solution.



JTV as outlet valve

The square Junc Trap valve JTV is installed slightly inclined on the tank to ensure a full release of media when opened and a tight shut-off when closed.

Pressure ratings

Working pressure at 20°C		Differential pressure at 20°C	
Sizes	bar	Sizes	bar
DN 100-DN 200/250x250	6	DN 100-DN 200/250x250	6

Pressure tests and leakage rates

The valves are subject for pressure tests in opened and closed position with water at 20° C before delivery according to EN 12266-1: 2009 rate A. The reject tank only is pressure tested with water 1,5 times max working pressure. No visually detectable leakage is allowed during the tests.

Part list

Pos	Detalj	Material (Name)
46	RKO	See data sheet
47	Gasket	KLINGERSil C-4430
48	Reject tank	Stainless steel (EN 1.4404)
49	Support	Stainless steel (EN 1.4404)
50	Gasket	KLINGERSil C-4430
51 ¹⁾	Splash guard	Stainless steel (EN 1.4404)
52	JTV	See data sheet

1) Optional accessory

Connections

Pos	Connection type	DN
1	Water (flush/fill)	DN25/R 1"
2	Air (De-aeration)	DN25/R 1"
3	Water (flush/fill)	DN20/R 3/4"
4	Water (flush/fill)	DN20/R 3/4"
5	Water (flush/fill)	DN25/R 1"

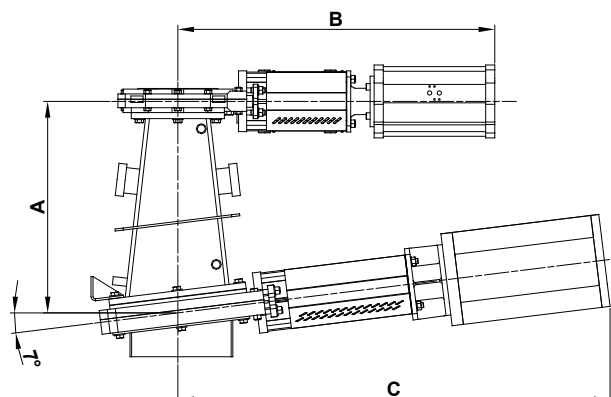
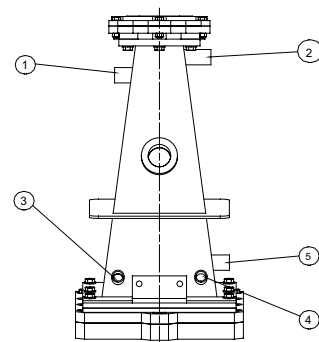
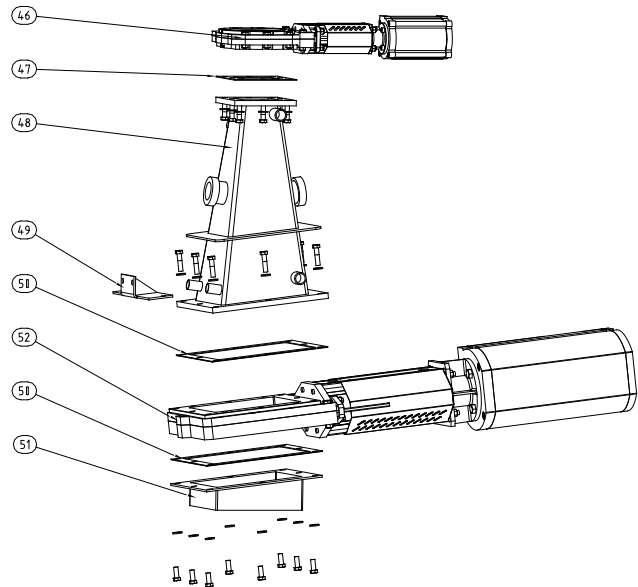
Main dimensions

Dimension (mm)						
DN	A	B	C	Volym L ¹⁾	Weight kg ²⁾	
100/250	639	555	1068	15	148	
150/250	522	783	1068	17	163	
200/250	524	876	1068	22	180	

1) Volume (litres) reject tank.

2) Weight reject tank, knife gate valves (RKO and JTV) equipped with double-acting pneumatic cylinders.

Main dimensions are only for information. Contact Stafsjö for certified drawings.





Архангельск (8182)63-90-72
Астана (7172)727-132
Астрахань (8512)99-46-04
Барнаул (3852)73-04-60
Белгород (4722)40-23-64
Брянск (4832)59-03-52
Владивосток (423)249-28-31
Волгоград (844)278-03-48
Вологда (8172)26-41-59
Воронеж (473)204-51-73
Екатеринбург (343)384-55-89
Иваново (4932)77-34-06

Ижевск (3412)26-03-58
Иркутск (395)279-98-46
Казань (843)206-01-48
Калининград (4012)72-03-81
Калуга (4842)92-23-67
Кемерово (3842)65-04-62
Киров (8332)68-02-04
Краснодар (861)203-40-90
Красноярск (391)204-63-61
Курск (4712)77-13-04
Липецк (4742)52-20-81
Киргизия (996)312-96-26-47

Магнитогорск (3519)55-03-13
Москва (495)268-04-70
Мурманск (8152)59-64-93
Набережные Челны (8552)20-53-41
Нижний Новгород (831)429-08-12
Новокузнецк (3843)20-46-81
Новосибирск (383)227-86-73
Омск (3812)21-46-40
Орел (4862)44-53-42
Оренбург (3532)37-68-04
Пенза (8412)22-31-16
Казахстан (772)734-952-31

Пермь (342)205-81-47
Ростов-на-Дону (863)308-18-15
Рязань (4912)46-61-64
Самара (846)206-03-16
Санкт-Петербург (812)309-46-40
Саратов (845)249-38-78
Севастополь (8692)22-31-93
Симферополь (3652)67-13-56
Смоленск (4812)29-41-54
Сочи (862)225-72-31
Ставрополь (8652)20-65-13
Россия (495)268-04-70

Сургут (3462)77-98-35
Тверь (4822)63-31-35
Томск (3822)98-41-53
Тула (4872)74-02-29
Тюмень (3452)66-21-18
Ульяновск (8422)24-23-59
Уфа (347)229-48-12
Хабаровск (4212)92-98-04
Челябинск (351)202-03-61
Череповец (8202)49-02-64
Ярославль (4852)69-52-93